

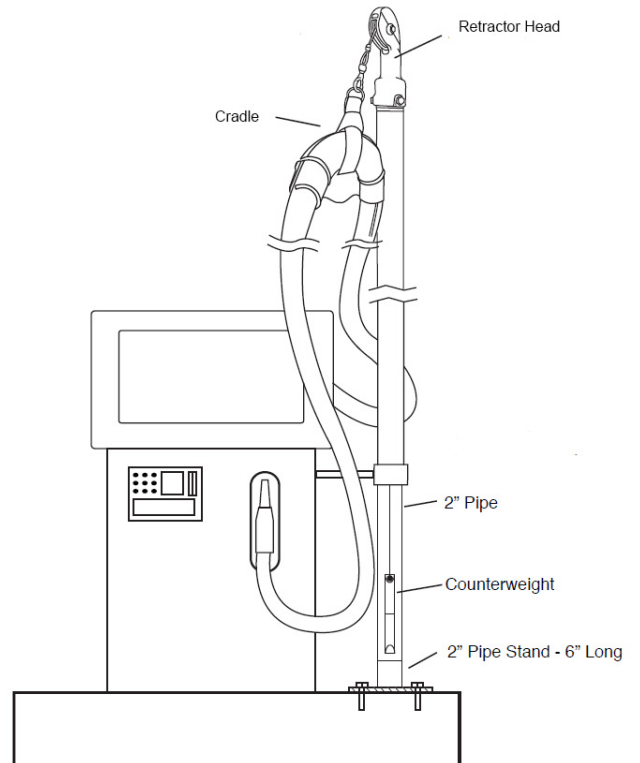
EV CABLE MANAGEMENT

EV CABLE RETRACTOR

Application -

Protects cables from excessive wear and damage. Prevents tangles and kinking. Reduces injury to customers from tripping accidents. Equipped with a heavy-duty base.

Part Number - 871-EV



Features -

- ✓ Head permits 360-degree rotation for total service in any direction
- ✓ Installs on a 2" Pipe up to 10'-6" tall
- ✓ Rugged cast iron body and weights
- ✓ Equipped with heavy-duty base and side bracket
- ✓ 20 lb. Counterweight (adjustable)

Construction -

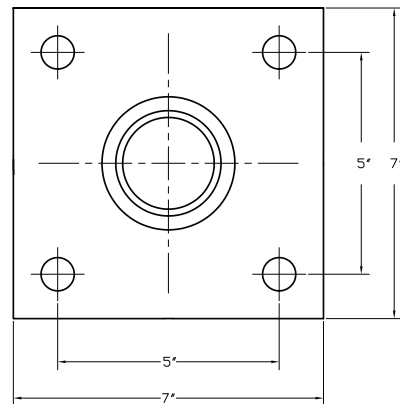
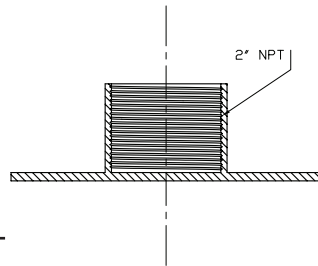
- Cast iron head and body
- Stainless steel cable
- Steel base

Model Weight (lbs.)

871-EV 30

Replacement Parts

Part Numbers	Description
871-BASE	Foot Base
871-BRACKET	Bracket



Notice: Universal EV Solutions products must be used in compliance with applicable federal, state, and local laws and regulations. Product selection should be based on physical specifications and limitations and compatibility with the environment and material to be handled. Universal EV Solutions makes no warranty of fitness for a particular use. All illustrations and specifications in this literature are based on the latest production information available at the time of publication. Prices, materials, and specification are subject to change at any time, and models may be discontinued at any time, in either case, without notice or obligation.